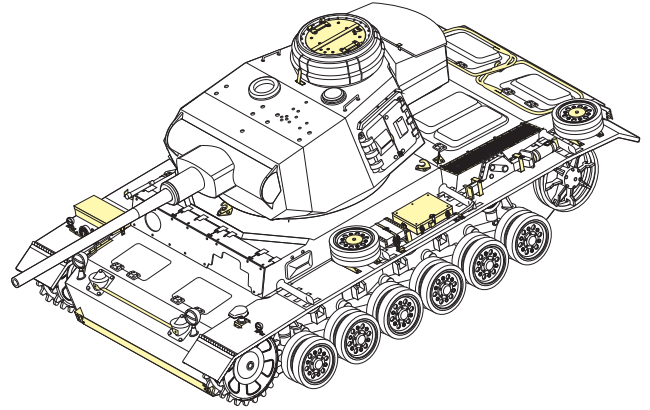


1/35 MILITARY MINIATURE VEHICLE UPGRADE SERIES PE35228

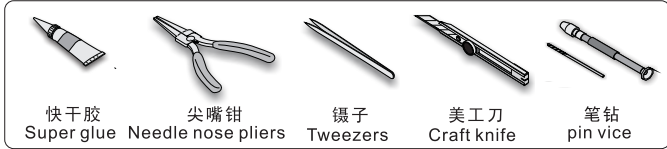
# WWII Pz.KPfw. III Ausf L










## 二战德军III号坦克L型改造件


[For TAMIYA 35215]



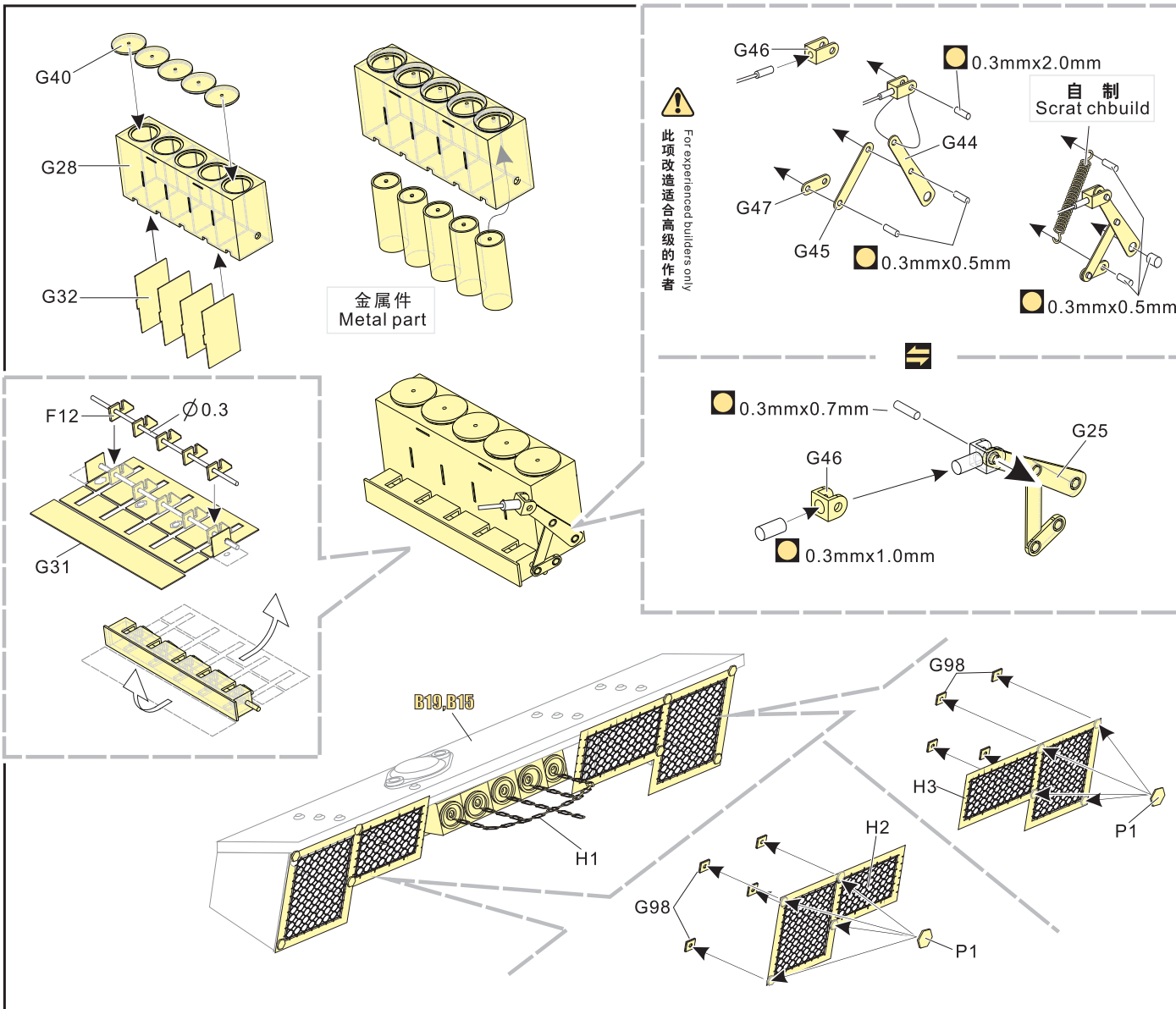
### 推荐使用工具 RECOMMENDED TOOLS



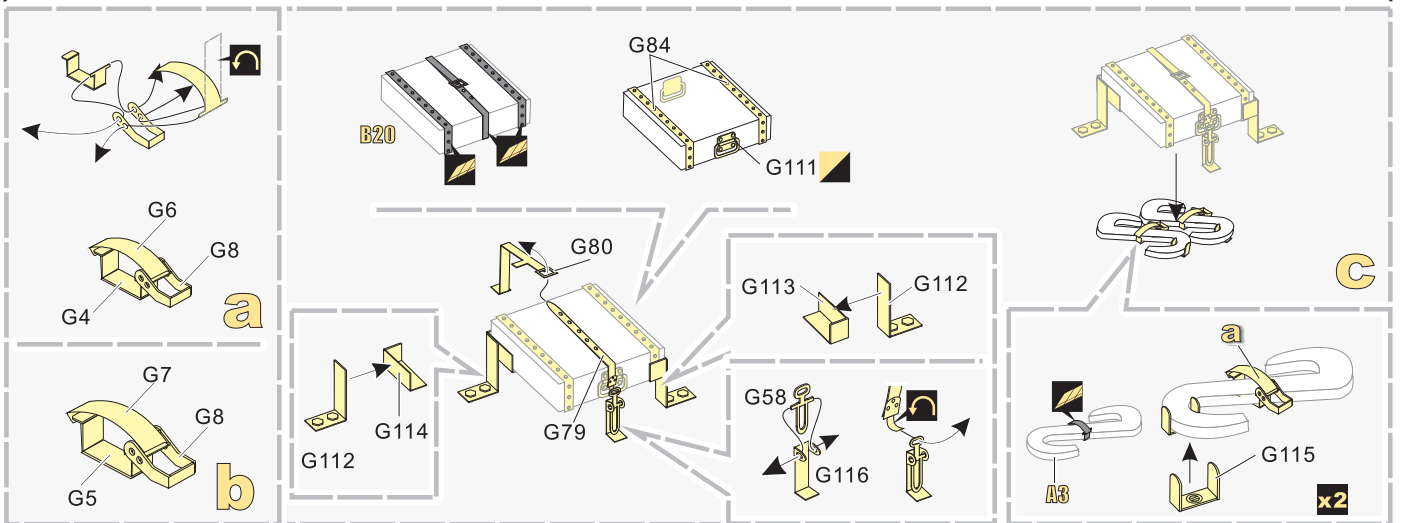
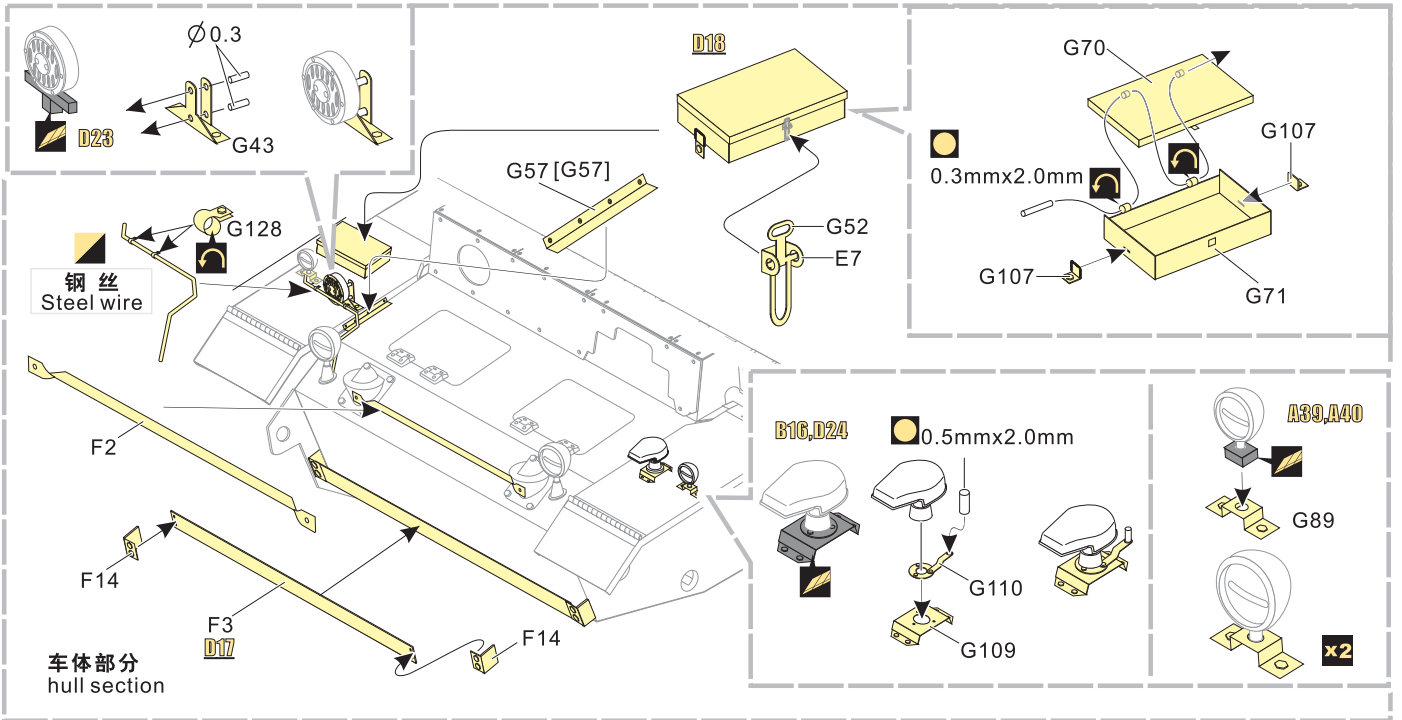
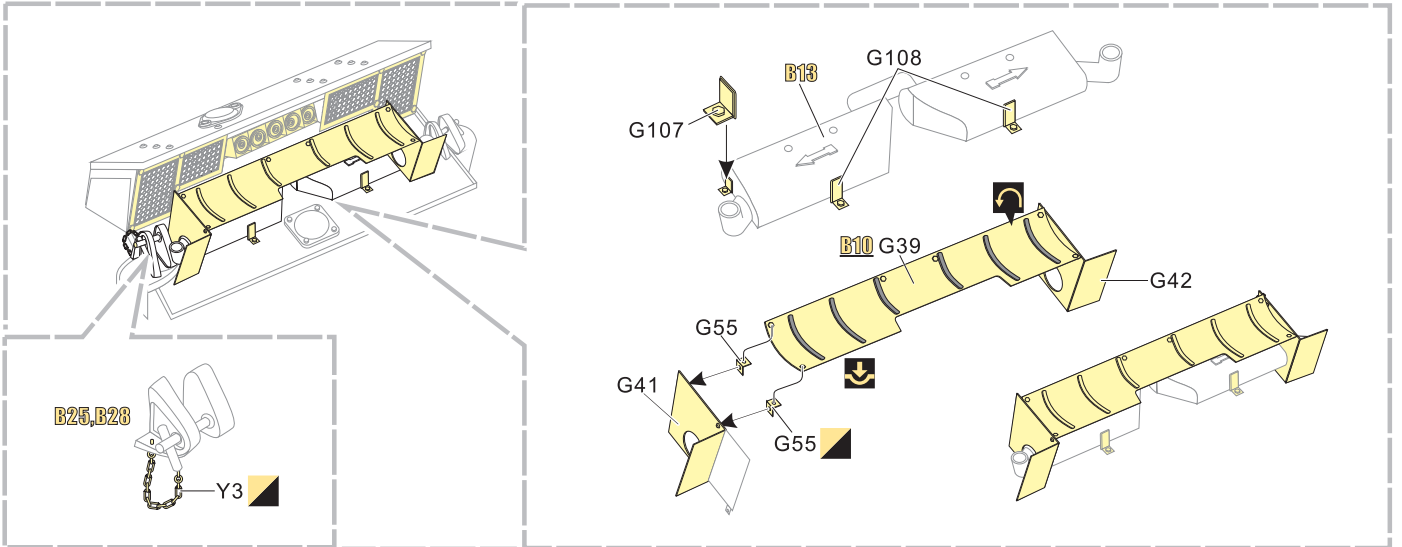
-   
 安装  
install
-   
 折叠  
bend
- A1**  
 改造件零件编号  
PE/resin part number
- B12**  
 原零件编号  
kit part number
- C22**  
 被替换的原零件编号  
replaced kit part number
-   
 另一侧相同制作  
repeat on opposite side
-   
 切除  
remove
-   
 打磨  
grind off
-   
 弧度卷曲  
radial bending
- x2**  
 制作若干组  
multiple assembly
-   
 选择安装  
alternative
-   
 钻孔  
drill
-   
 用胶棒制作  
make from plastic rod

  
 用尖端在凹槽处冲压  
use penpoint to press on the dent

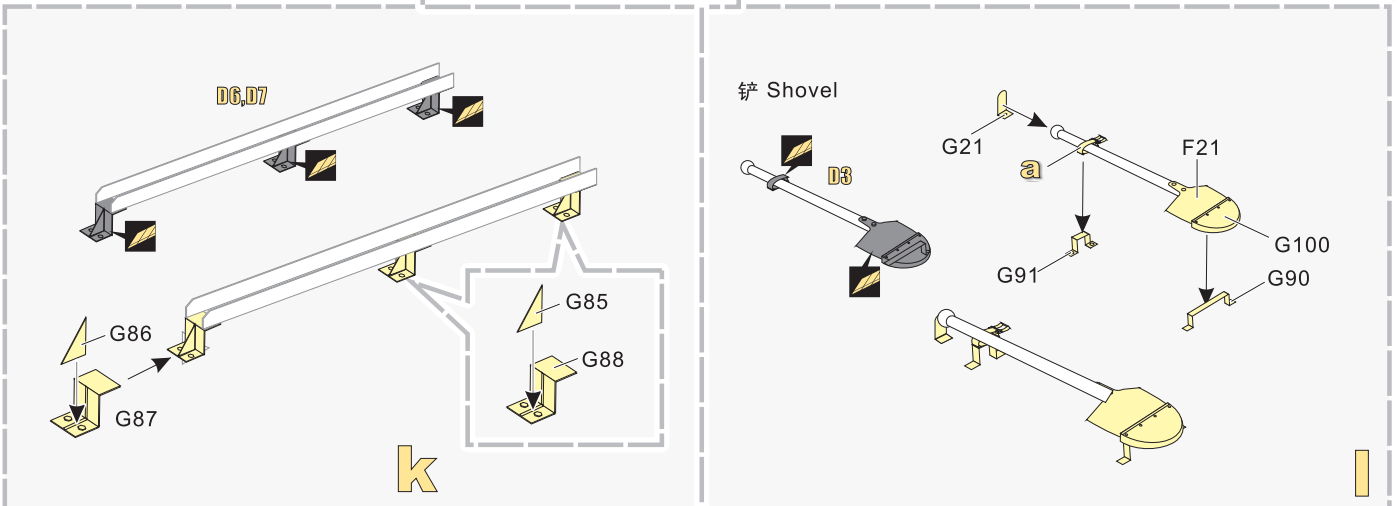
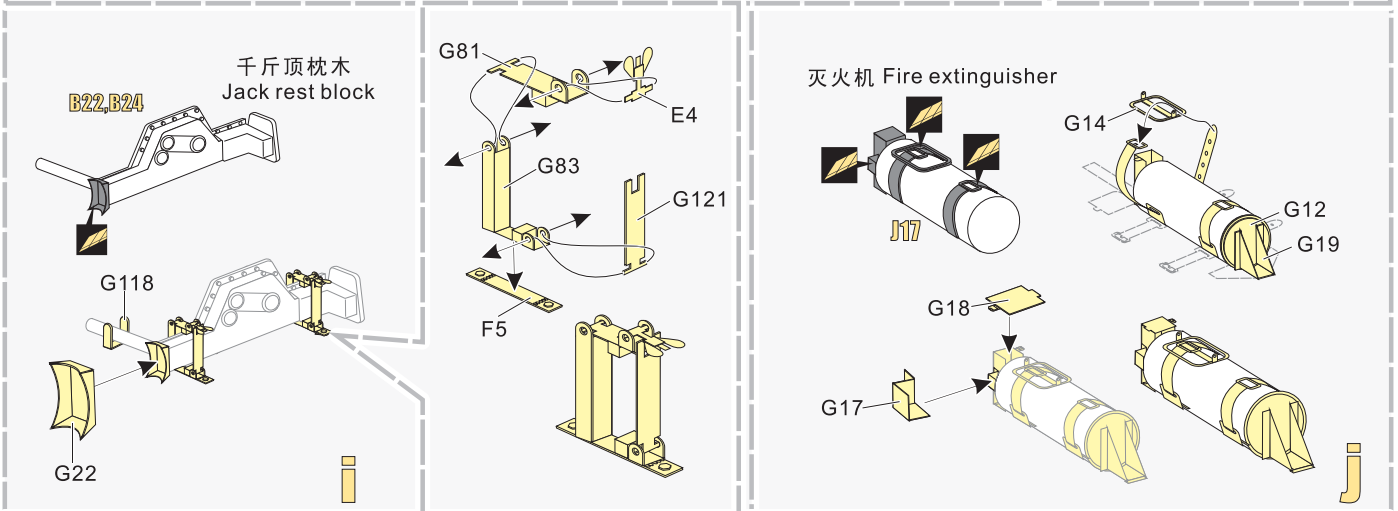
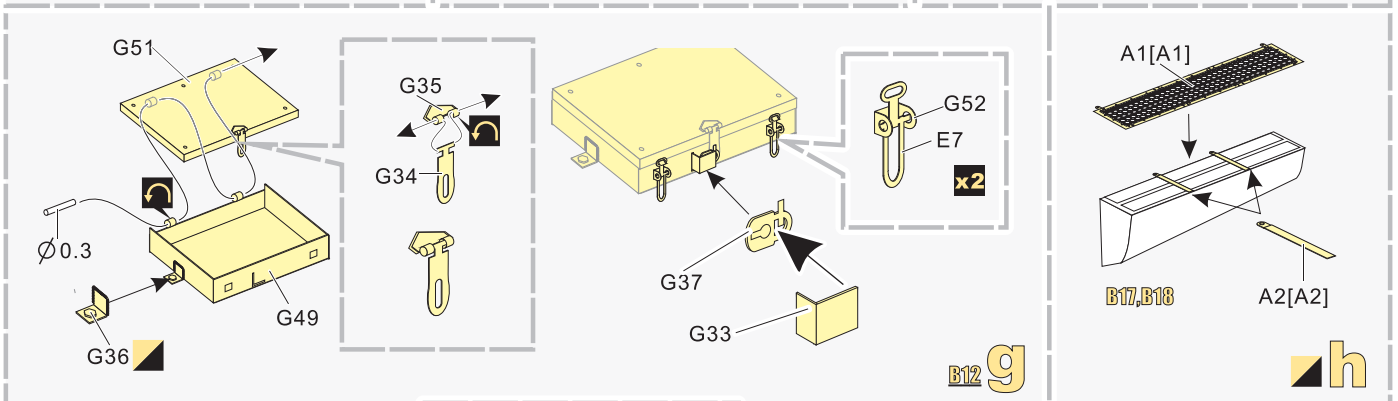
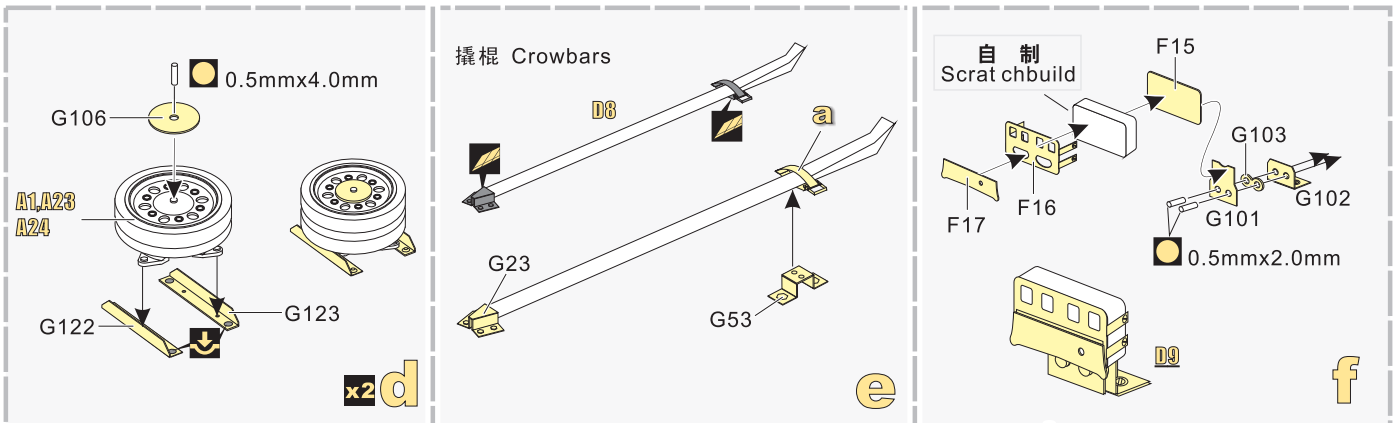
蚀刻片零件内侧面向上  
Put the part upside down  
 用笔尖在凹槽处刺  
Use penpoint to press on the dent

1/35 MILITARY MINIATURE VEHICLE UPGRADE SERIES PE35228



1/35 MILITARY MINIATURE VEHICLE UPGRADE SERIES PE35228



1/35 MILITARY MINIATURE VEHICLE UPGRADE SERIES PE35228

自制  
Scrat chbuild

G104 G103 G101 G102

● 0.5mmx2.0mm

F11

引擎启动杆 Engine starter crank **m**

**n**

B2 G119 钳子 Wirecutter **o**

D11 G78 G38 **p**

D19 G94 G93 G95 **q**

F13 F4 **r**

G10 E4 G11

Ø0.3

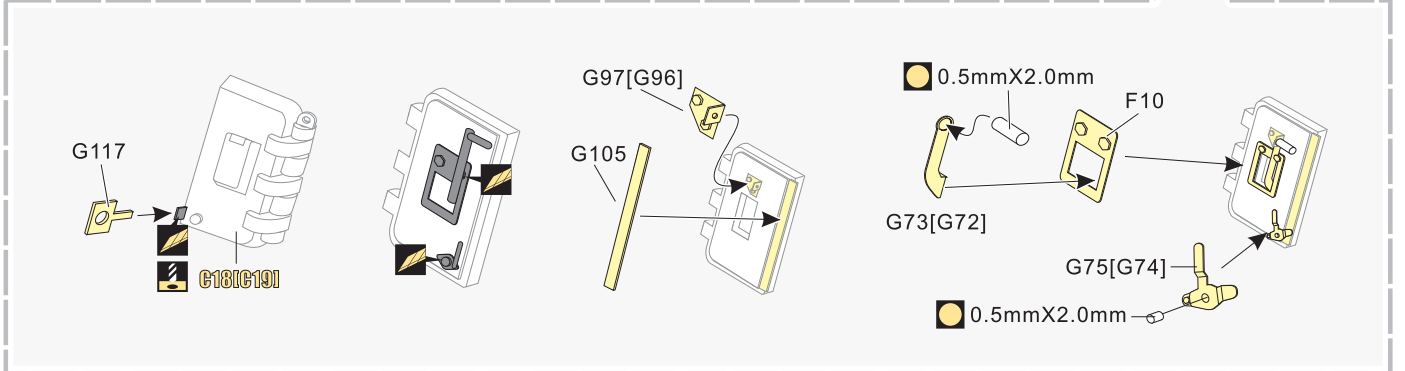
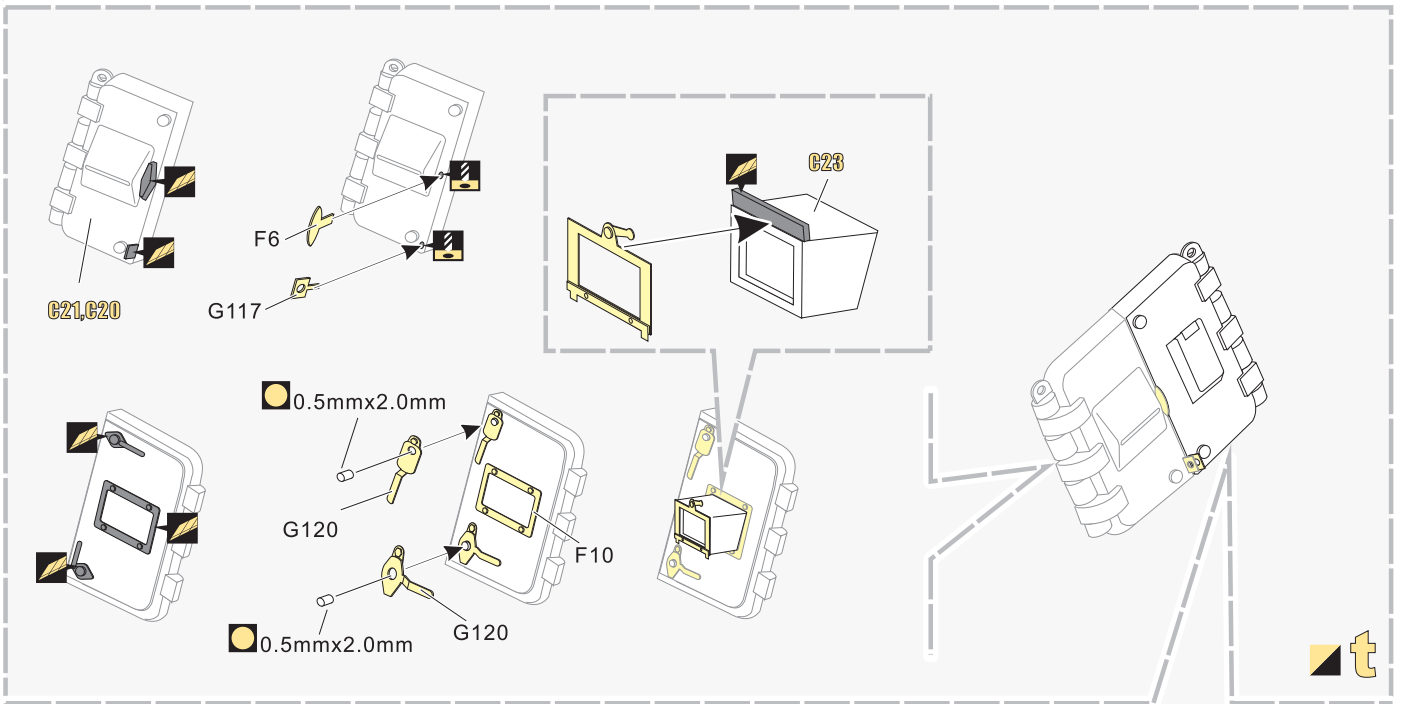
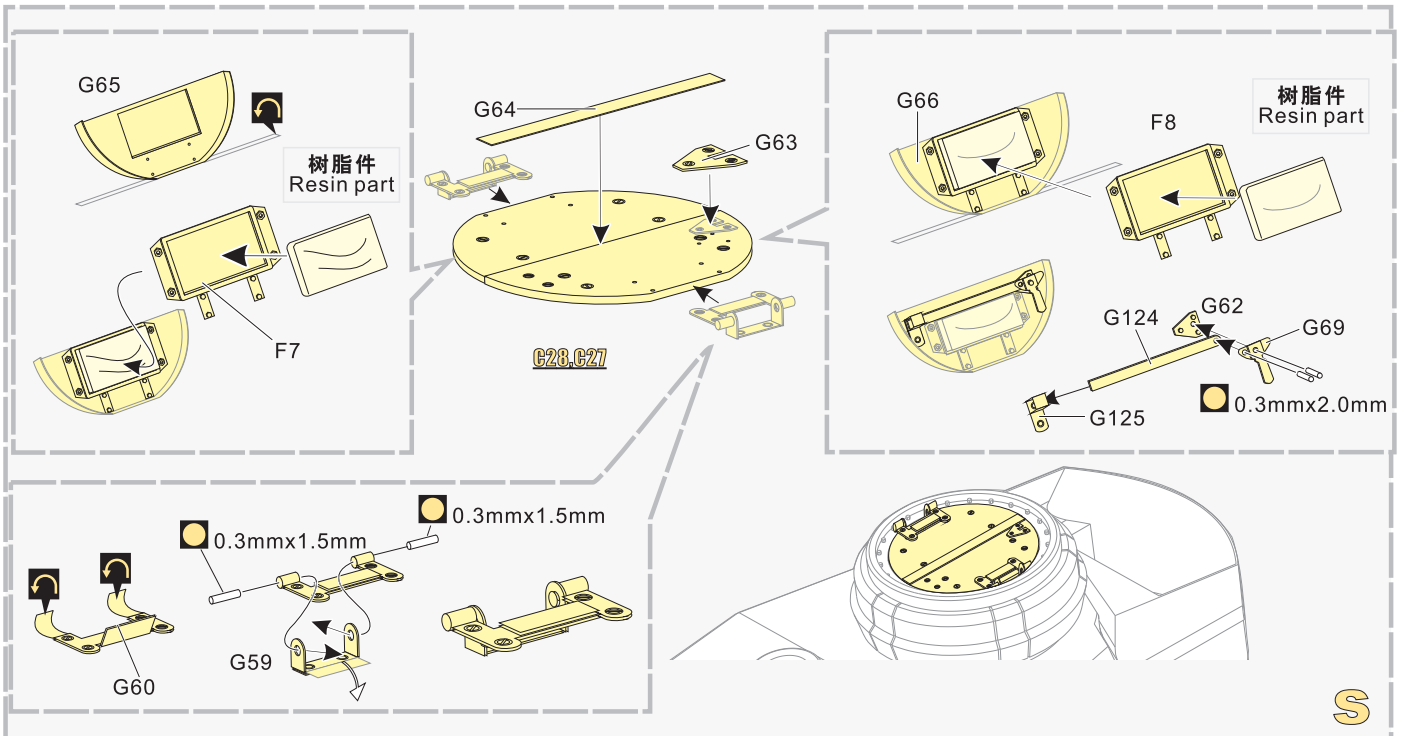
G20 G13 G15 G16

铜缆 Copper cable 树脂件 Resin part

D20 G9 **x2**

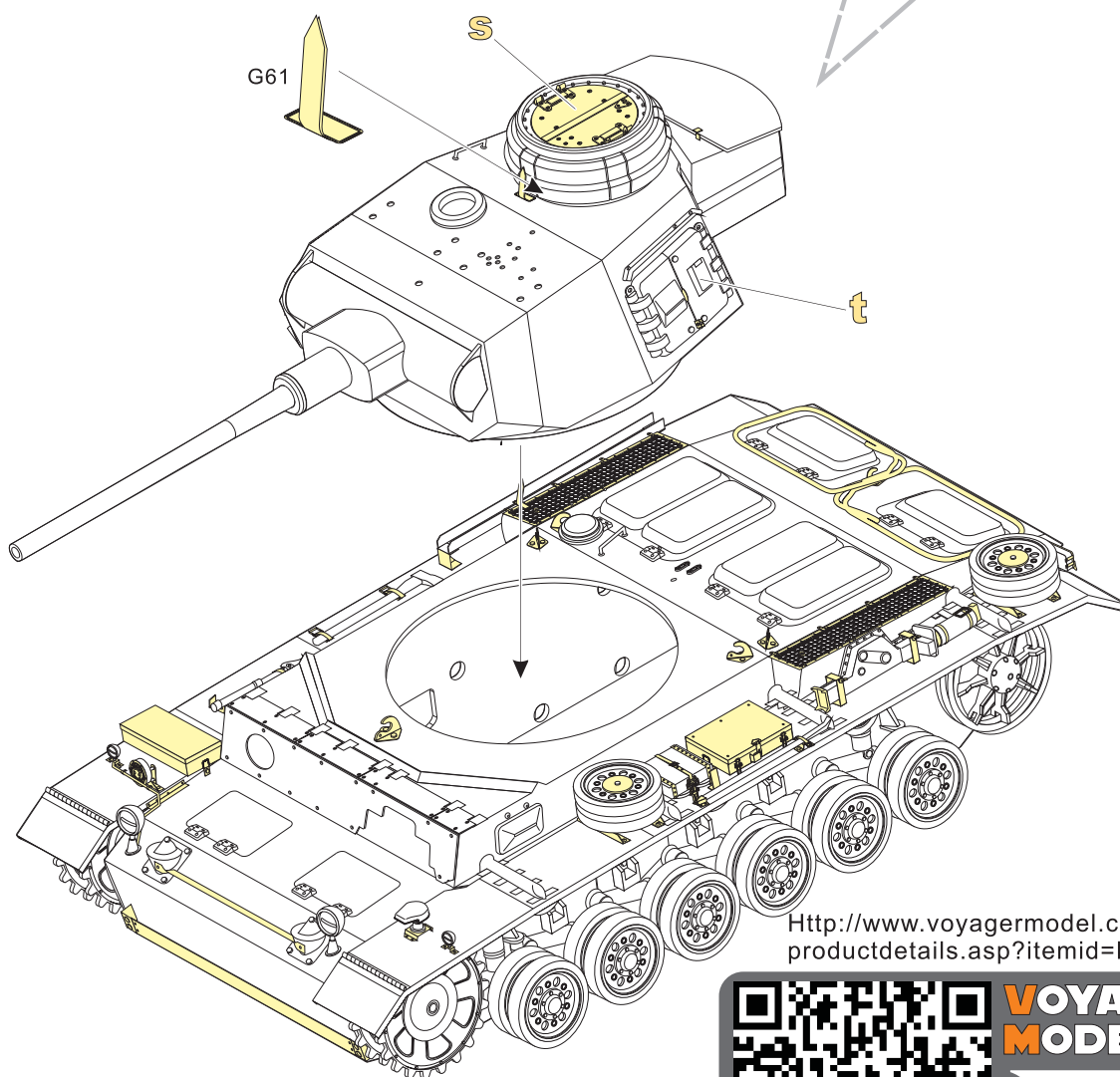
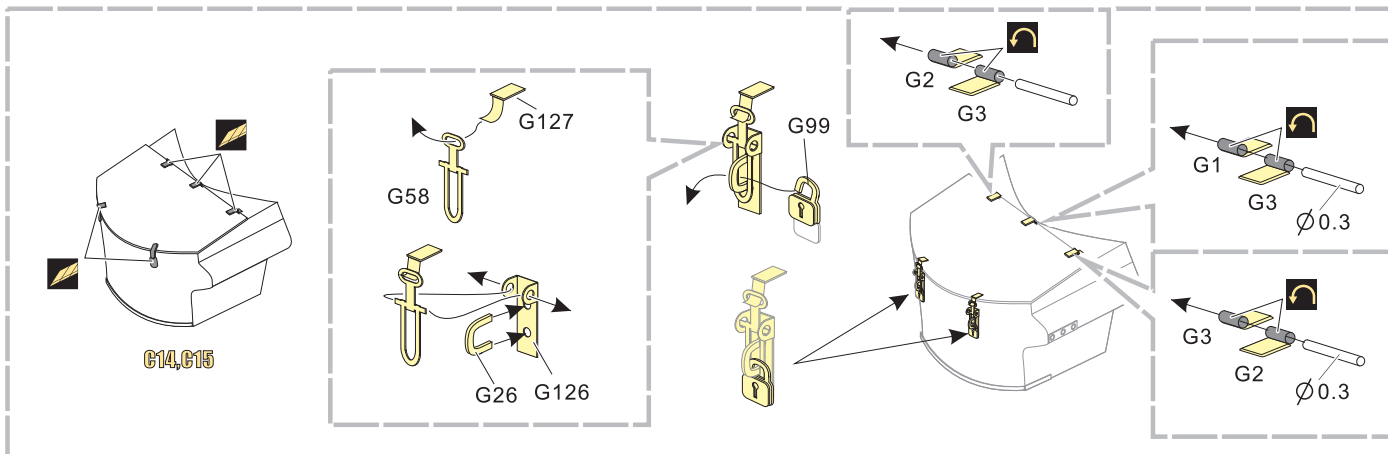
**a** **b** **c** **d** **e** **f** **g** **h** **i** **j** **k** **l** **m** **n** **o** **p** **q** **r**

1/35 MILITARY MINIATURE VEHICLE UPGRADE SERIES PE35228





1/35 MILITARY MINIATURE VEHICLE UPGRADE SERIES PE35228



[Http://www.voyagermodel.com/productdetails.asp?itemid=PE35228](http://www.voyagermodel.com/productdetails.asp?itemid=PE35228)



**VOYAGER  
MODEL**



更多PE35228样品照片参考请扫一扫  
MORE PICTUER OF PE 35228  
REFERENCE SCAN HERE

VOYAGERMODEL® 无微不至 极尽享受

Recommended item

PE 35158	WWII German Pz.KPfw.III Mid-Late Production Fenders
PEA 108	WWII German Pz.KPfw.III Late Production Damaged Road Wheels