

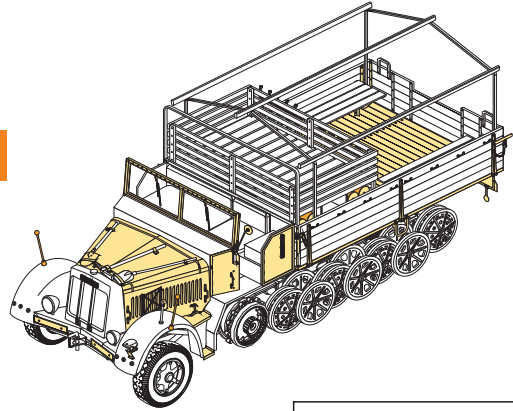
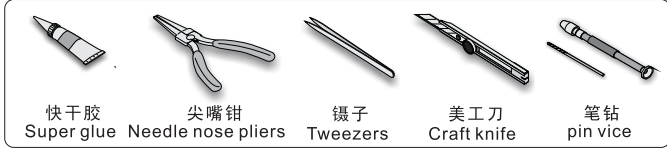
1/35 MILITARY MINIATURE VEHICLE UPGRADE SERIES PE35335

WWII German Sd.Kfz.7 8t Late Production

二战德军Sd.Kfz.7 8T半履带运输车后期型改造件

[For DRAGON 6562]

推荐使用工具 RECOMMENDED TOOLS

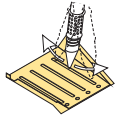


- 安装
install
- 折叠
bend
- A1**
改造件零件编号
PE/resin part number
- B12**
原零件编号
kit part number
- C22**
被替换的原零件编号
replaced kit part number
- 另一侧相同制作
repeat on opposite side
- 切除
remove
- 打磨
grind off
- 弧度卷曲
radial bending
- x2**
制作若干组
multiple assembly
- 选择安装
alternative
- 用铜管制作
make from brass tube
- 用胶棒制作
make from plastic rod

用尖端在凹槽处冲压
use penpoint to press on the dent

蚀刻片零件内朝面向上
Put the part upside down

用笔尖在凹槽处刺
Use penpoint to press on the dent



a Assembly of the rear chassis and engine housing. Includes parts A20, A22, B15, A25, B33, A8, A7, B33.

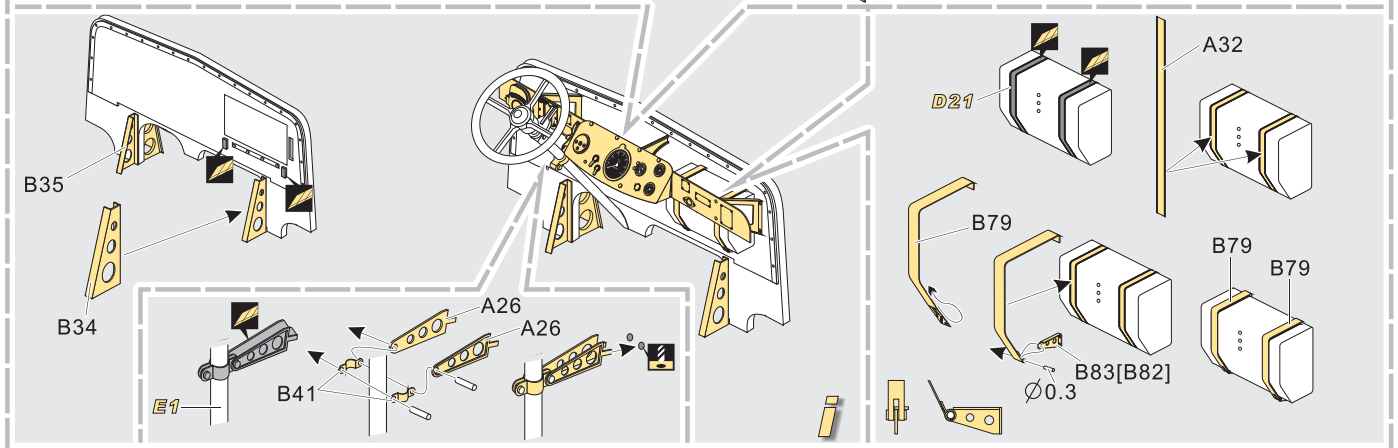
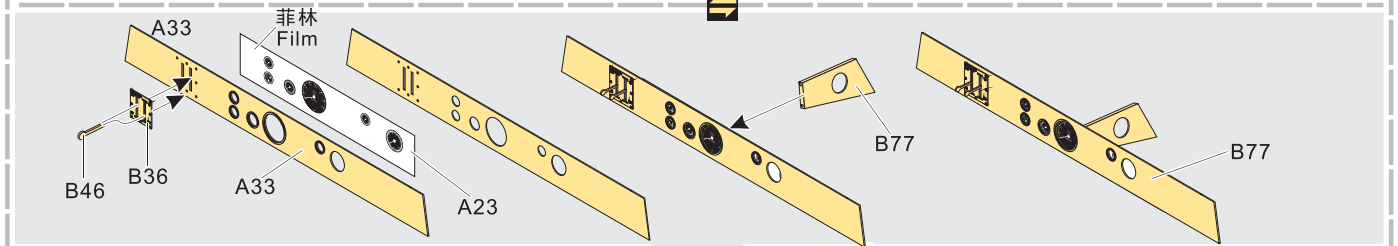
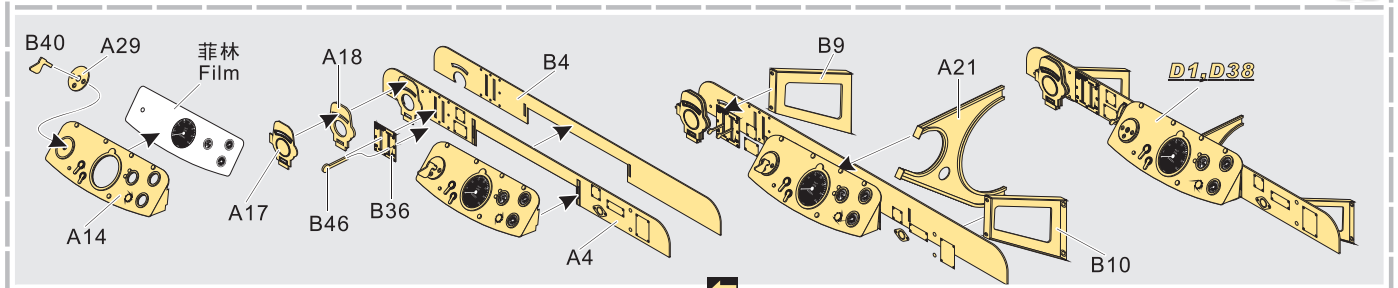
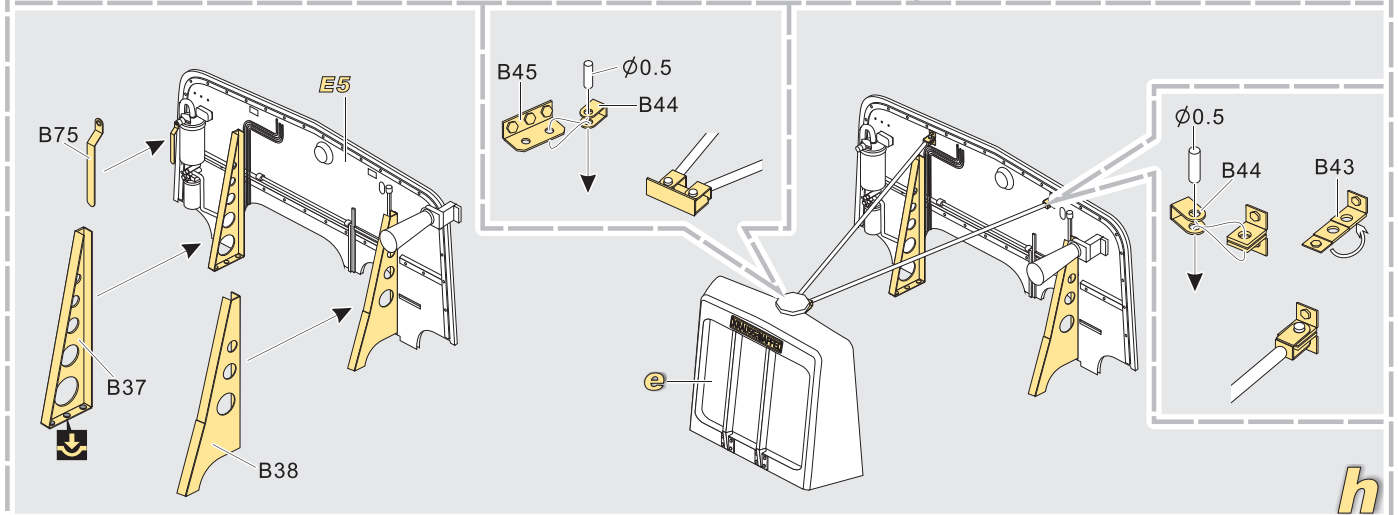
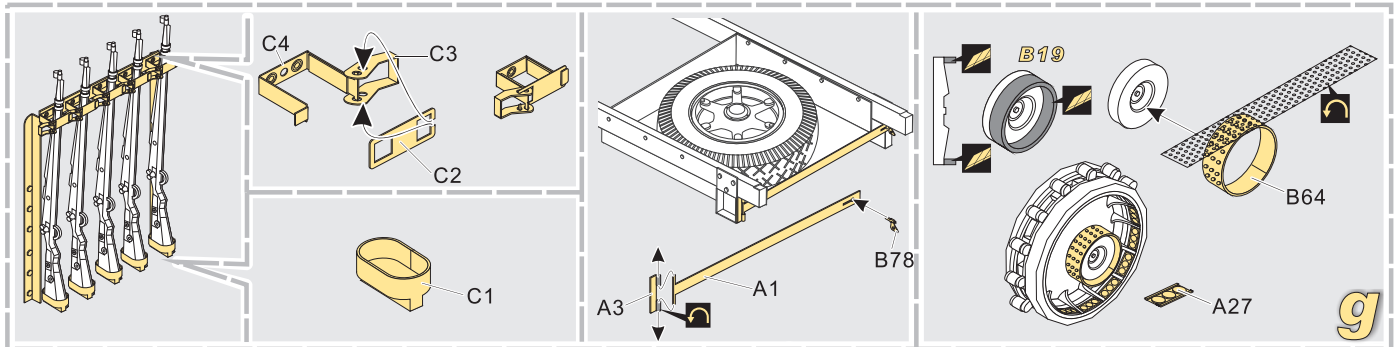
b Assembly of the engine components. Includes parts G4, C6, B12, B63, B13, A9, B22, B22, B41, B32.

c Assembly of the wheels and axles. Includes parts A8, A7, B33, B22, B22, B41, B32.

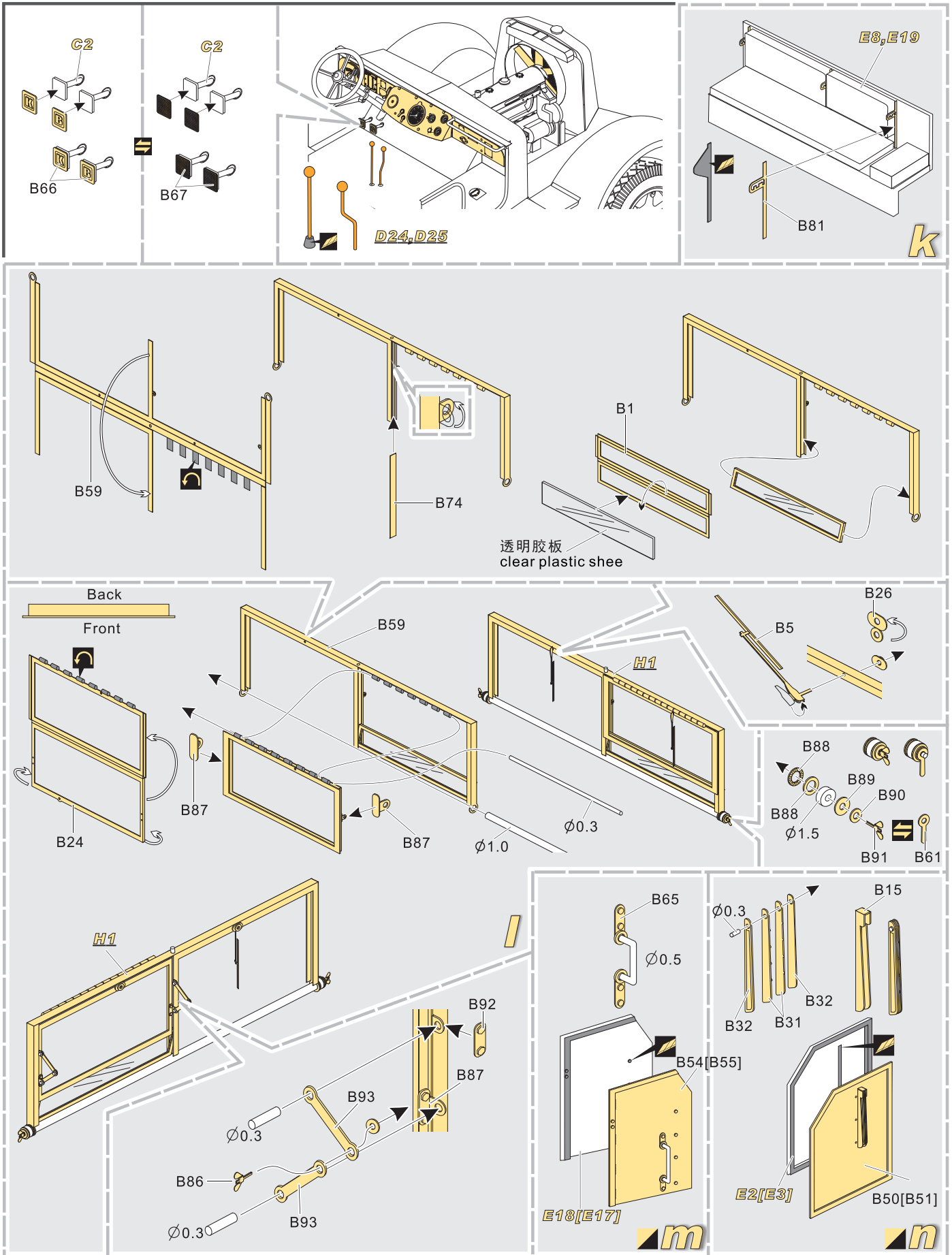
d Assembly of the engine and front chassis. Includes parts A28, D61, B53, D22, D9, I2.

e Final assembly of the front chassis and engine housing. Includes parts B53, D22, D9, I2, A19, D27.

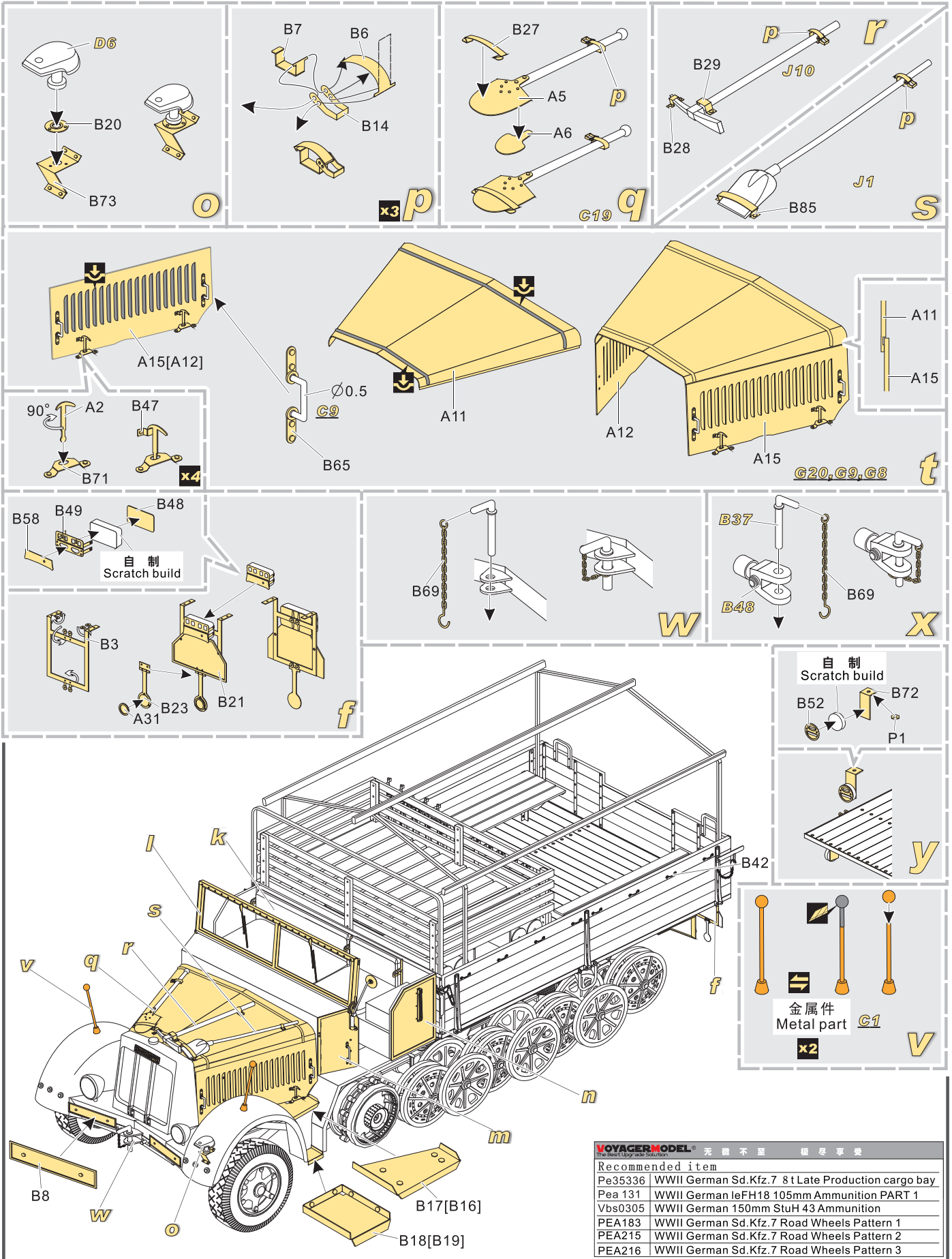
1/35 MILITARY MINIATURE VEHICLE UPGRADE SERIES PE35335



1/35 MILITARY MINIATURE VEHICLE UPGRADE SERIES PE35335



1/35 MILITARY MINIATURE VEHICLE UPGRADE SERIES PE35335



VOYAGERMODEL® 无微不至 极尽享受	
Recommended item	
Pe35336	WWII German Sd.Kfz.7 8t Late Production cargo bay
Pea 131	WWII German leFH18 105mm Ammunition PART 1
Vbs0305	WWII German 150mm StuH 43 Ammunition
PEA183	WWII German Sd.Kfz.7 Road Wheels Pattern 1
PEA215	WWII German Sd.Kfz.7 Road Wheels Pattern 2
PEA216	WWII German Sd.Kfz.7 Road Wheels Pattern 3