

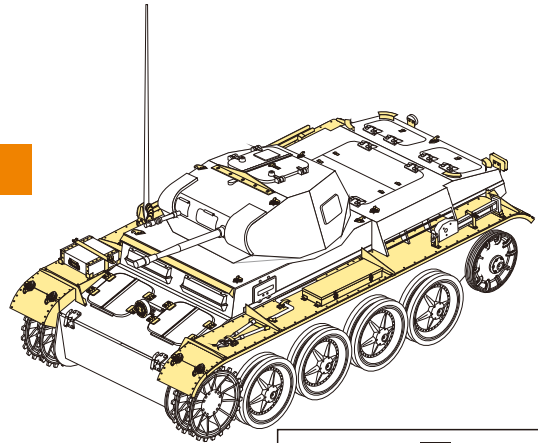
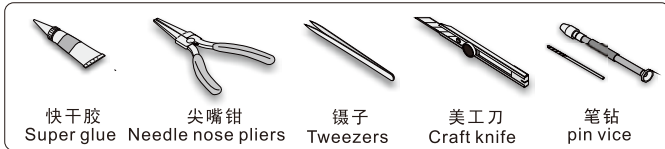
1/35 MILITARY MINIATURE VEHICLE UPGRADE SERIES PE35438

WWII German Pz.Kpfw.II Ausf.D1 (Sd.Kfz.121)

二战德军II号D1型坦克改造件 (Sd.Kfz.121)

[For Bronco 35061]

推荐使用工具 RECOMMENDED TOOLS



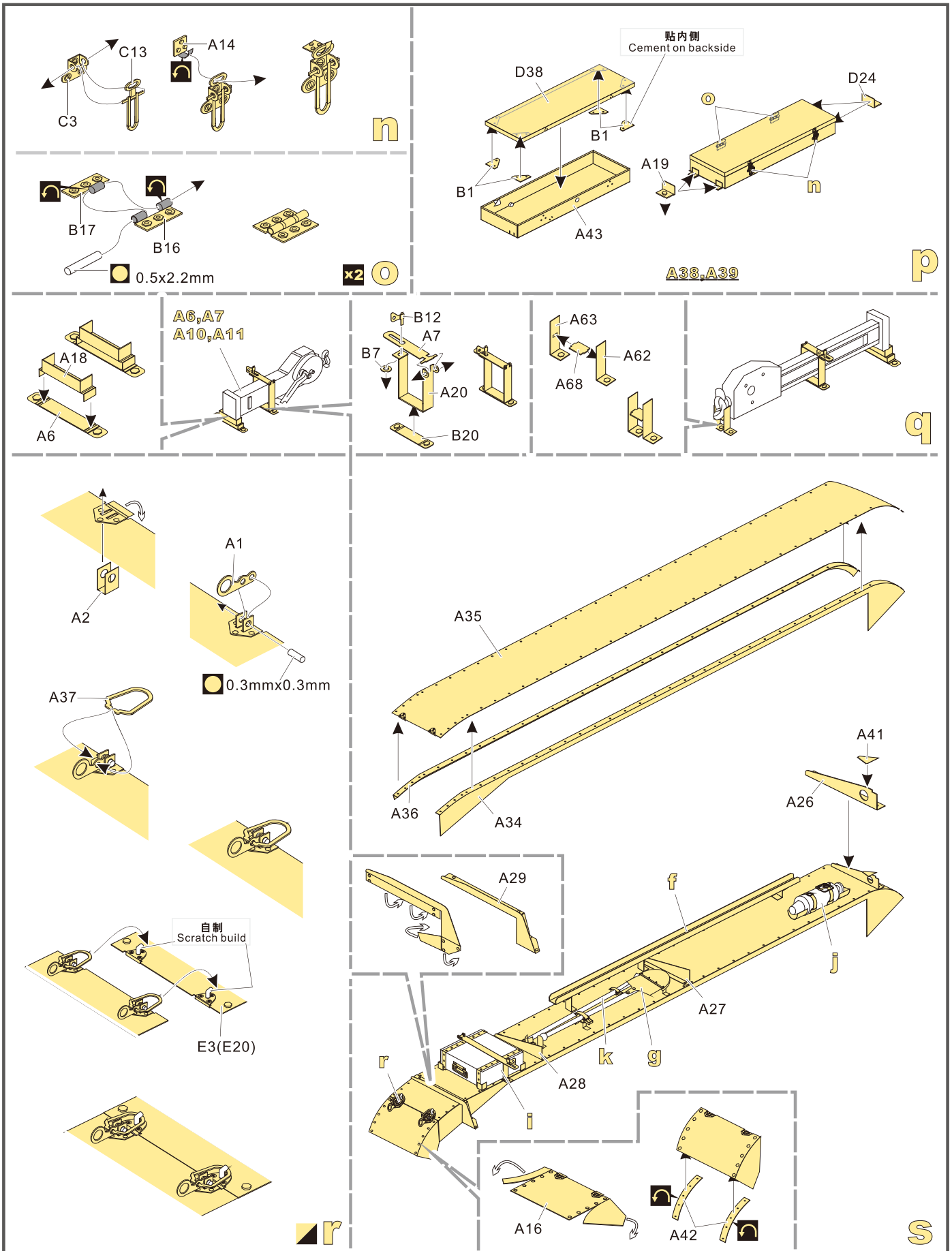
- 安装 install
- 折叠 bend
- A1**
改造件零件编号
PE/resin part number
- B12**
原零件编号
kit part number
- C22**
被替换的原零件编号
replaced kit part number
- 另一侧相同制作
repeat on opposite side
- 切除 remove
- 打磨 grind off
- 弧度卷曲
radial bending
- 制作若干组
multiple assembly
- 选择安装
alternative
- 钻孔 drill
- 用胶棒制作
make from plastic rod

用尖端在凹槽处冲压
use penpoint to press on the dent

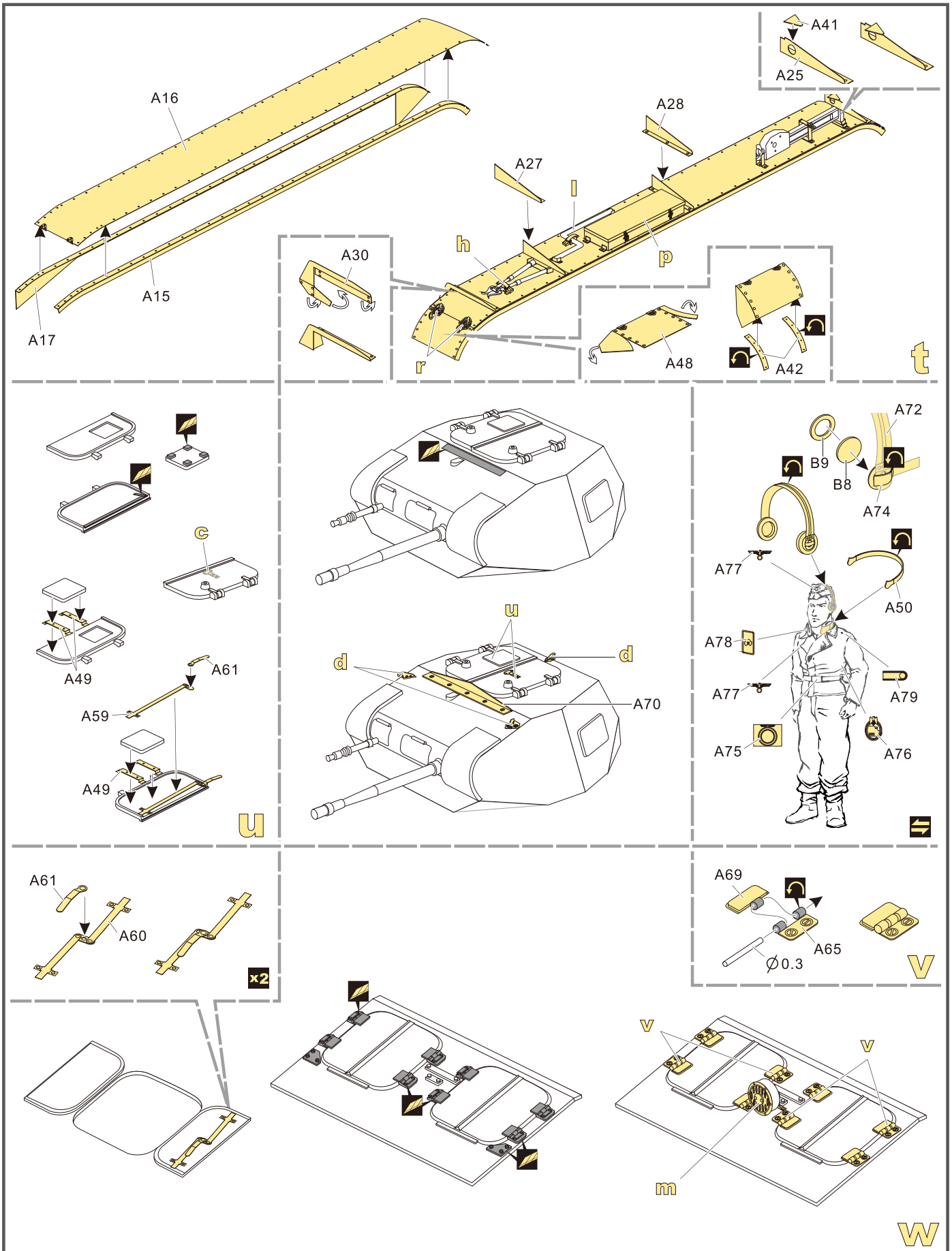
蚀刻片零件内侧面向上
Put the part upside down
用笔尖在凹槽处刺
Use penpoint to press on the dent

a **b** **c** **d** **e** **f** **g** **h** **i** **j** **k** **l** **m**

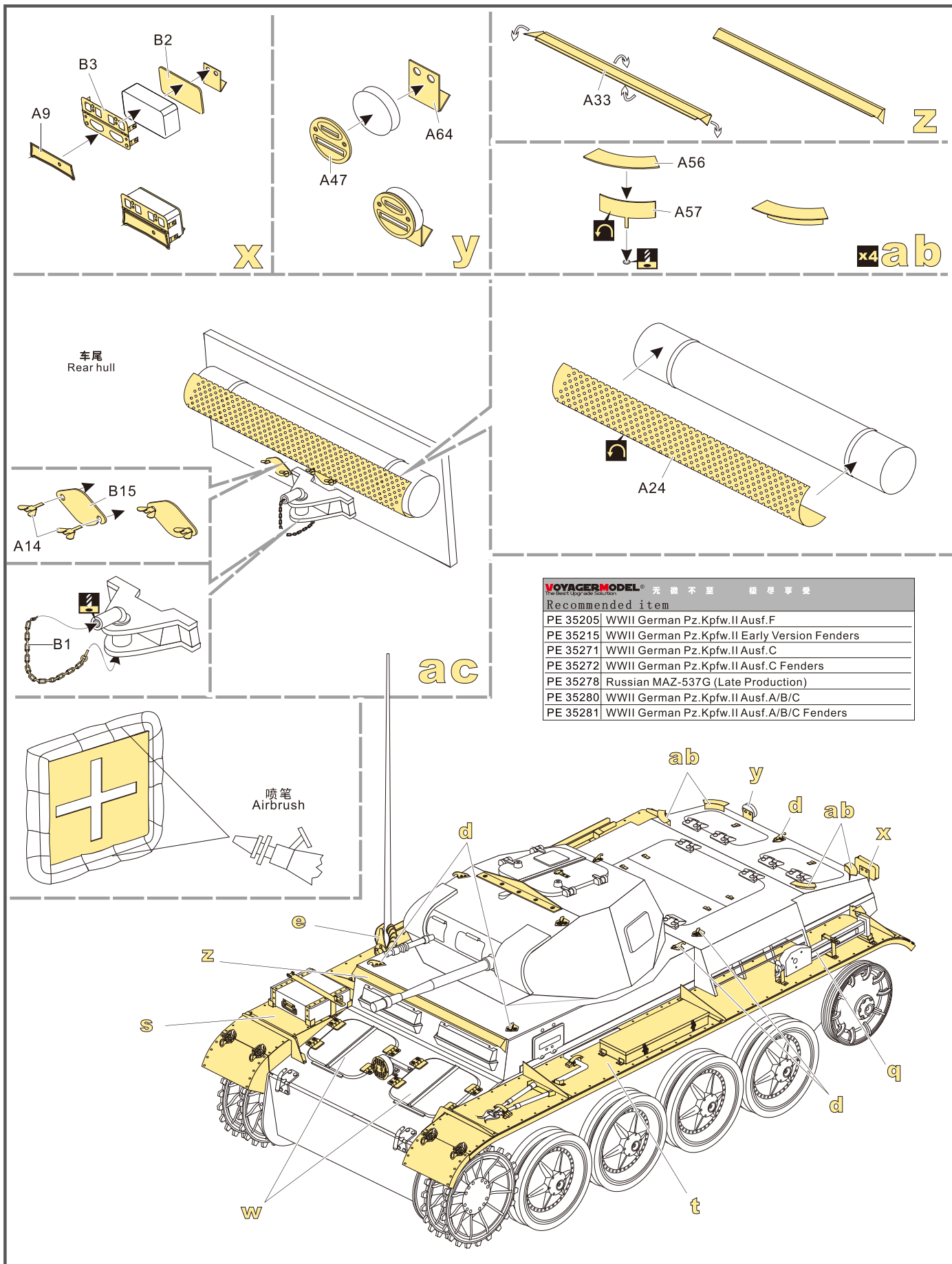
1/35 MILITARY MINIATURE VEHICLE UPGRADE SERIES PE35438



1/35 MILITARY MINIATURE VEHICLE UPGRADE SERIES PE35438



1/35 MILITARY MINIATURE VEHICLE UPGRADE SERIES PE35438



VOYAGERMODEL[®] 无微不至 极尽享受
The Best Upgrade Solution

Recommended item	
PE 35205	WWII German Pz.Kpfw.II Ausf.F
PE 35215	WWII German Pz.Kpfw.II Early Version Fenders
PE 35271	WWII German Pz.Kpfw.II Ausf.C
PE 35272	WWII German Pz.Kpfw.II Ausf.C Fenders
PE 35278	Russian MAZ-537G (Late Production)
PE 35280	WWII German Pz.Kpfw.II Ausf.A/B/C
PE 35281	WWII German Pz.Kpfw.II Ausf.A/B/C Fenders