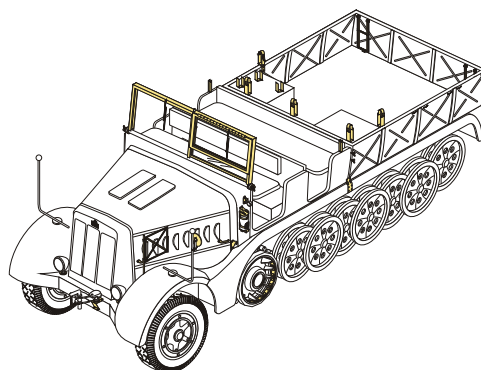


1/35 MILITARY MINIATURE VEHICLE UPGRADE SERIES PE35498

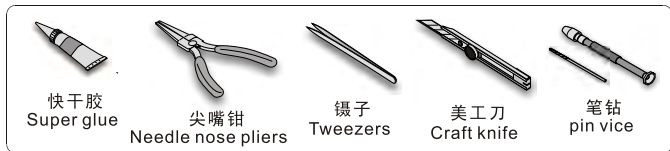
WWII German Sd.Kfz.9 Famo basic

二战德军18吨FAMO半履带牵引车基本改造件

[For TAMIYA 35239 35246]



推荐使用工具 RECOMMENDED TOOLS



安装 install	折叠 bend	A1 改造件零件编号 PE/resin part number	B12 原零件编号 kit part number
G22 被替换的原零件编号 replaced kit part number	切除 remove	打磨 grind off	弧度卷曲 radial bending
注意 caution	扩孔 ream	x2 制作若干组 multiple assembly	填补 fill
	选择安装 alternative	另一侧相同制作 repeat on opposite side	钻孔 drill

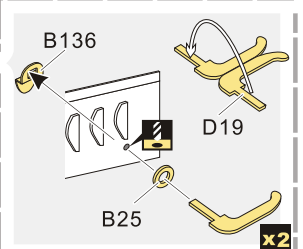
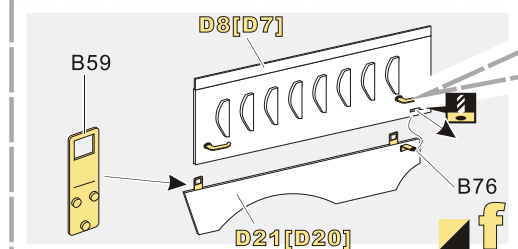
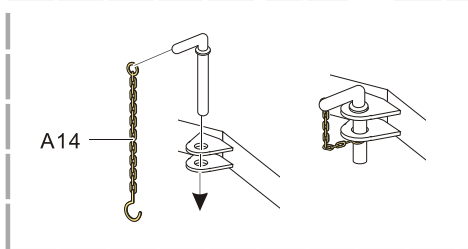
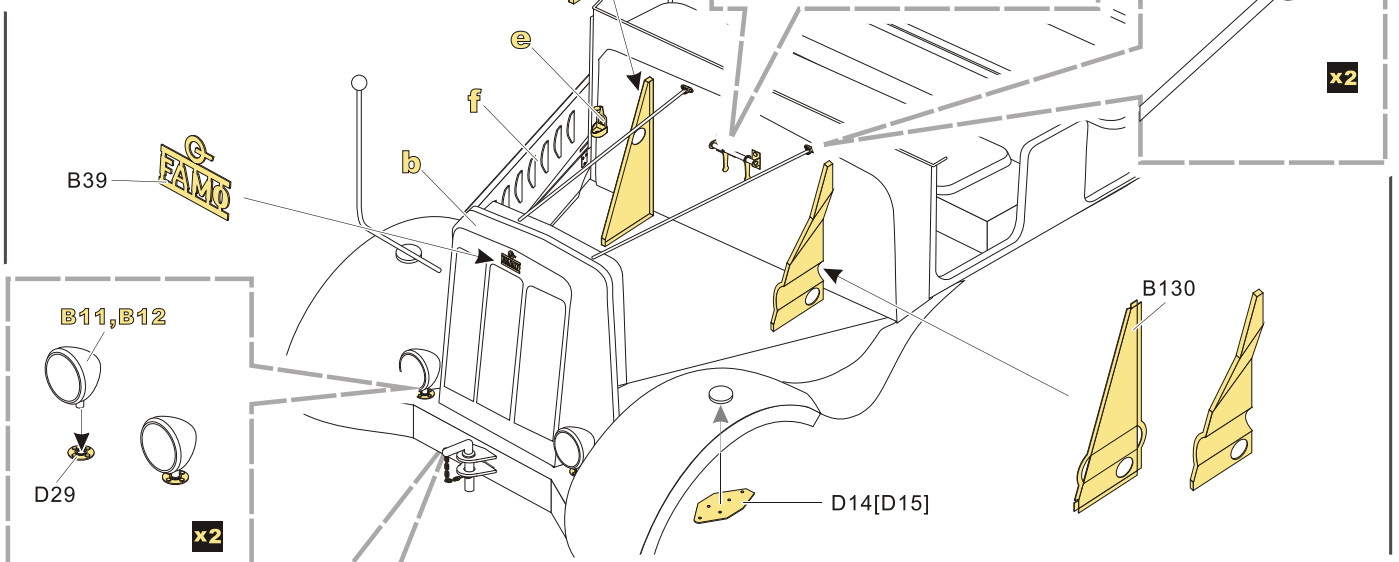
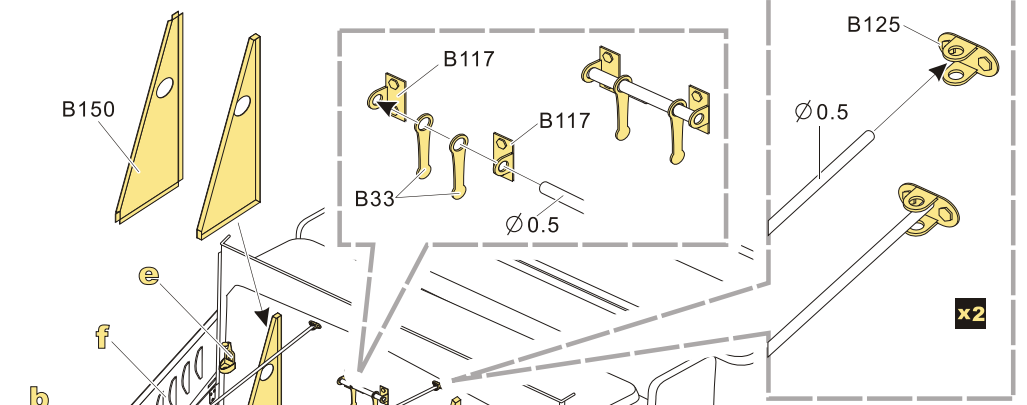
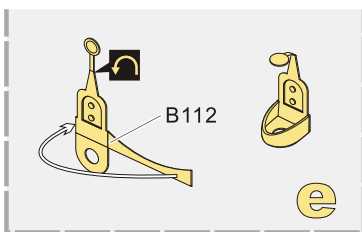
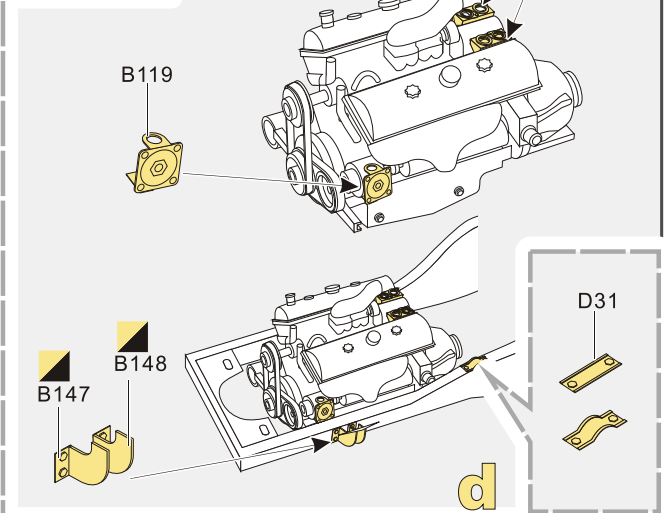
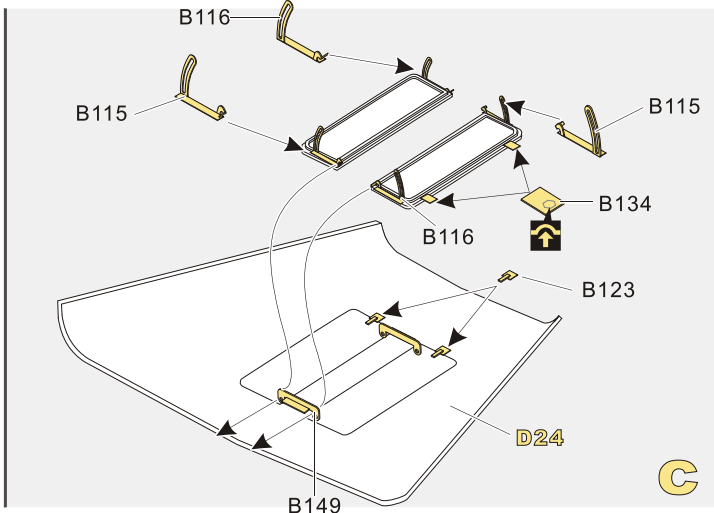
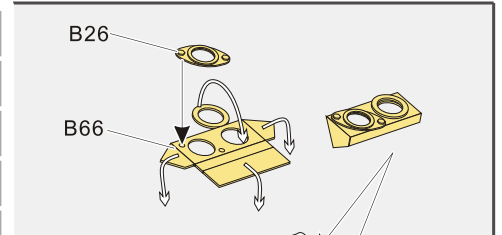
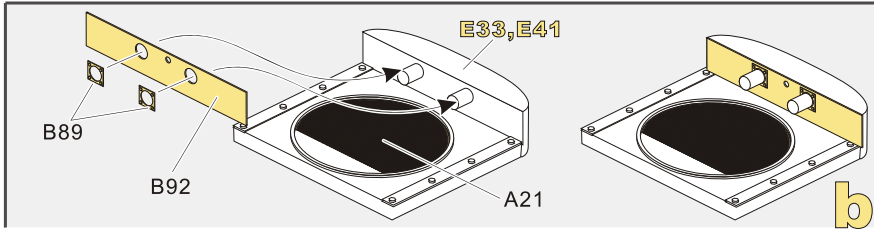
用尖端在凹槽处冲压
use penpoint to press on the dent

蚀刻片零件内侧面向上
Put the part upside down

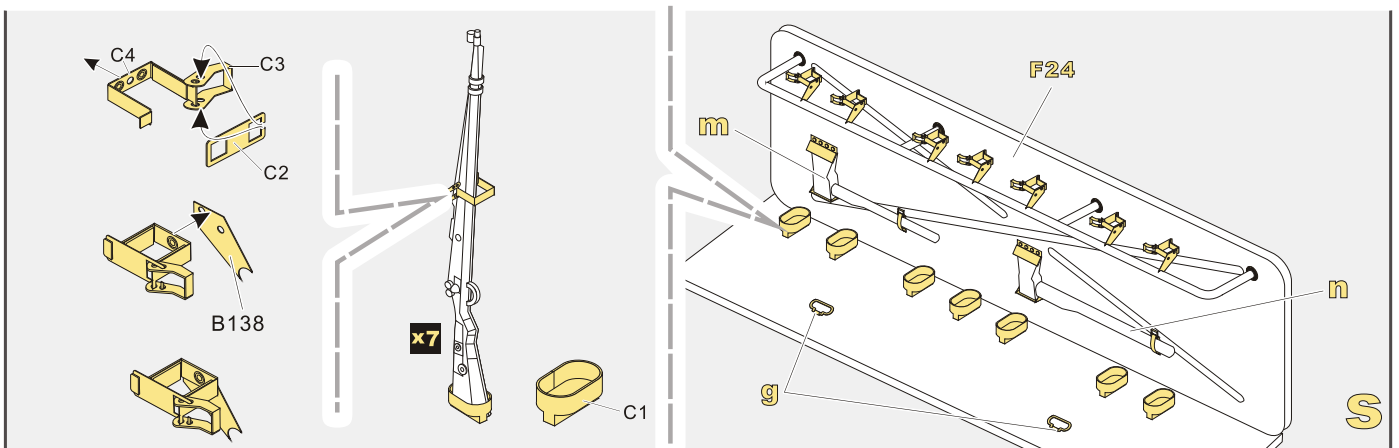
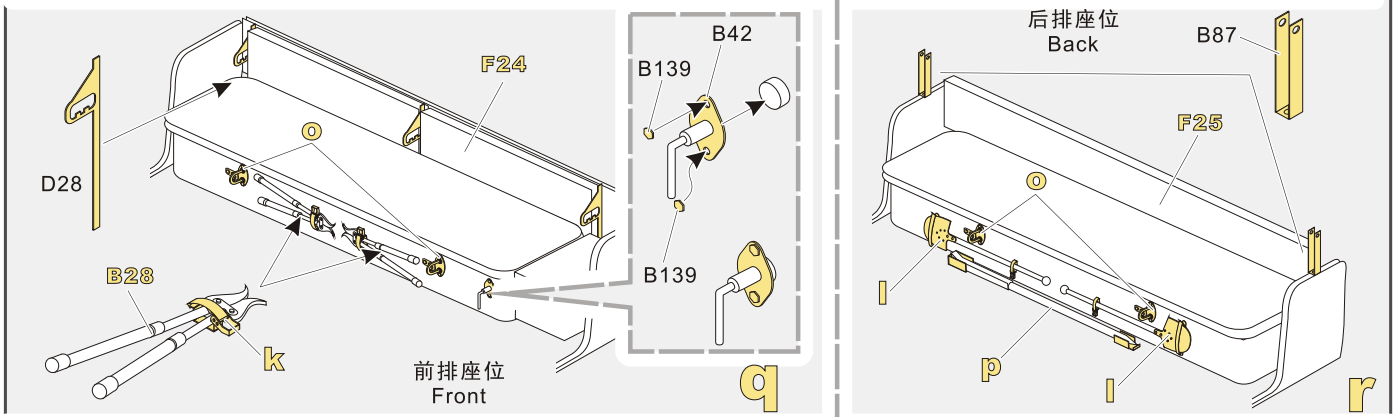
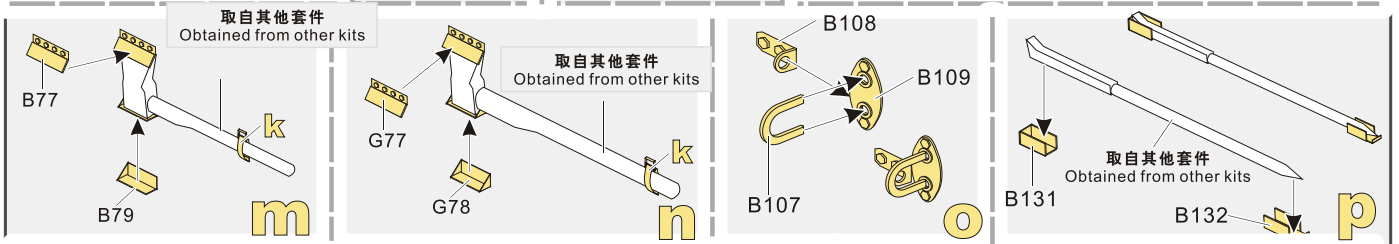
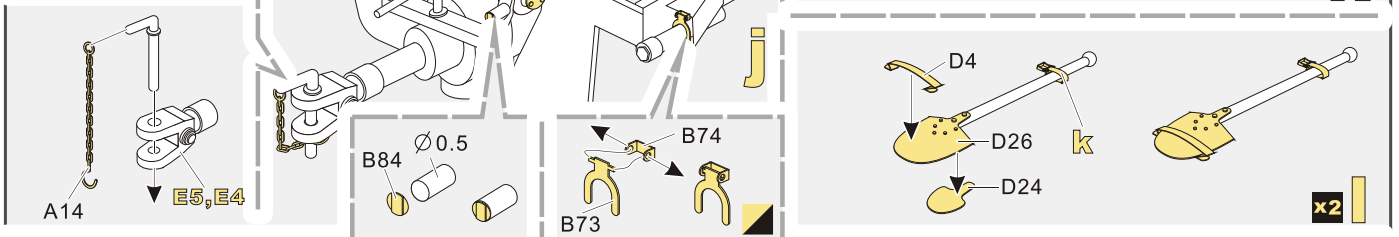
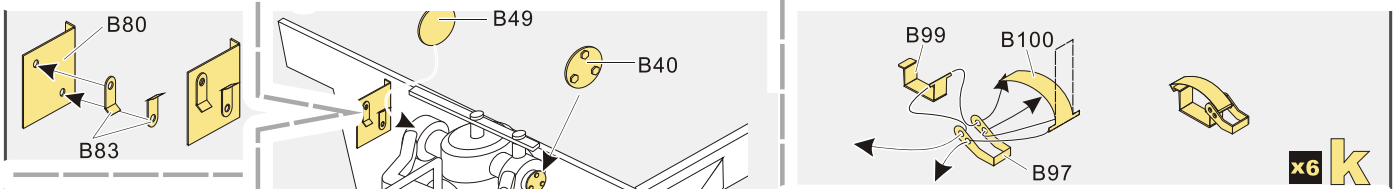
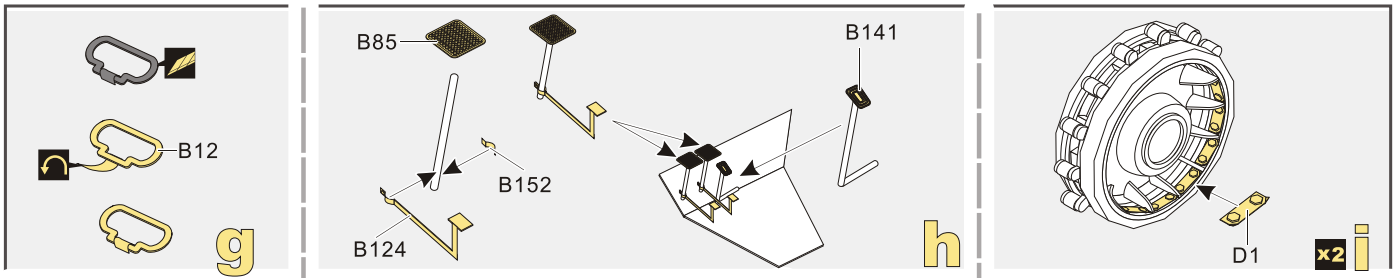
用笔尖在凹槽处刺
Use penpoint to press on the dent

制作线圈
make coil

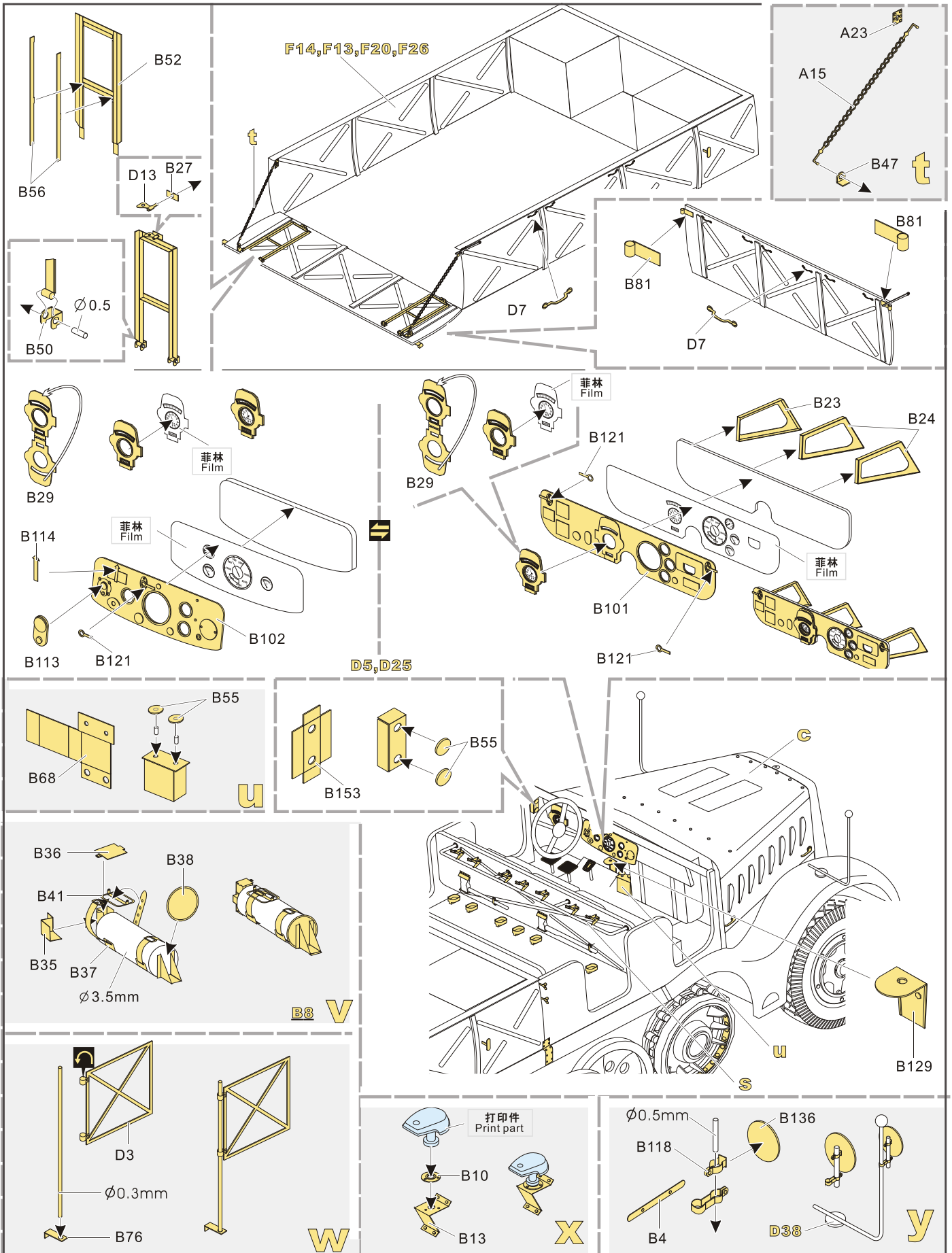
1/35 MILITARY MINIATURE VEHICLE UPGRADE SERIES PE35498



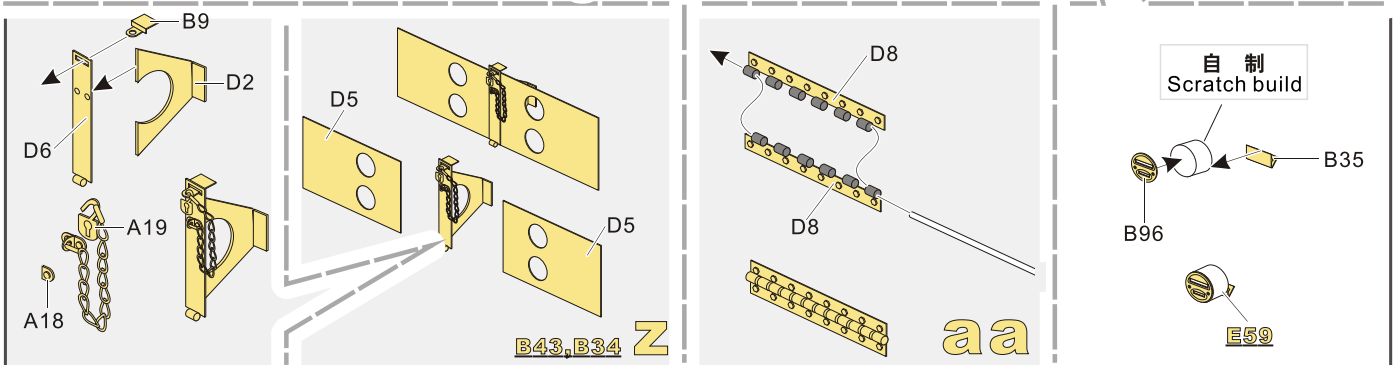
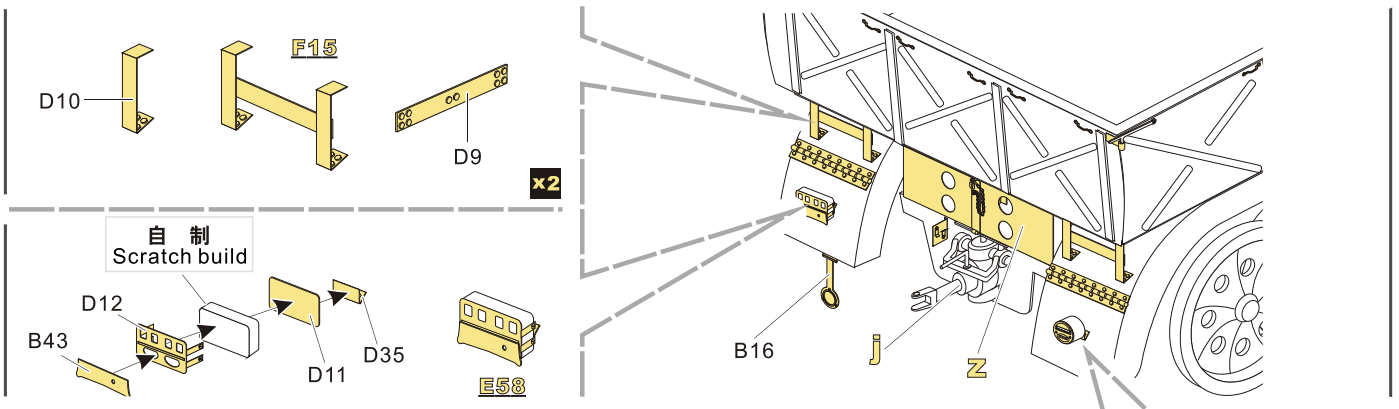
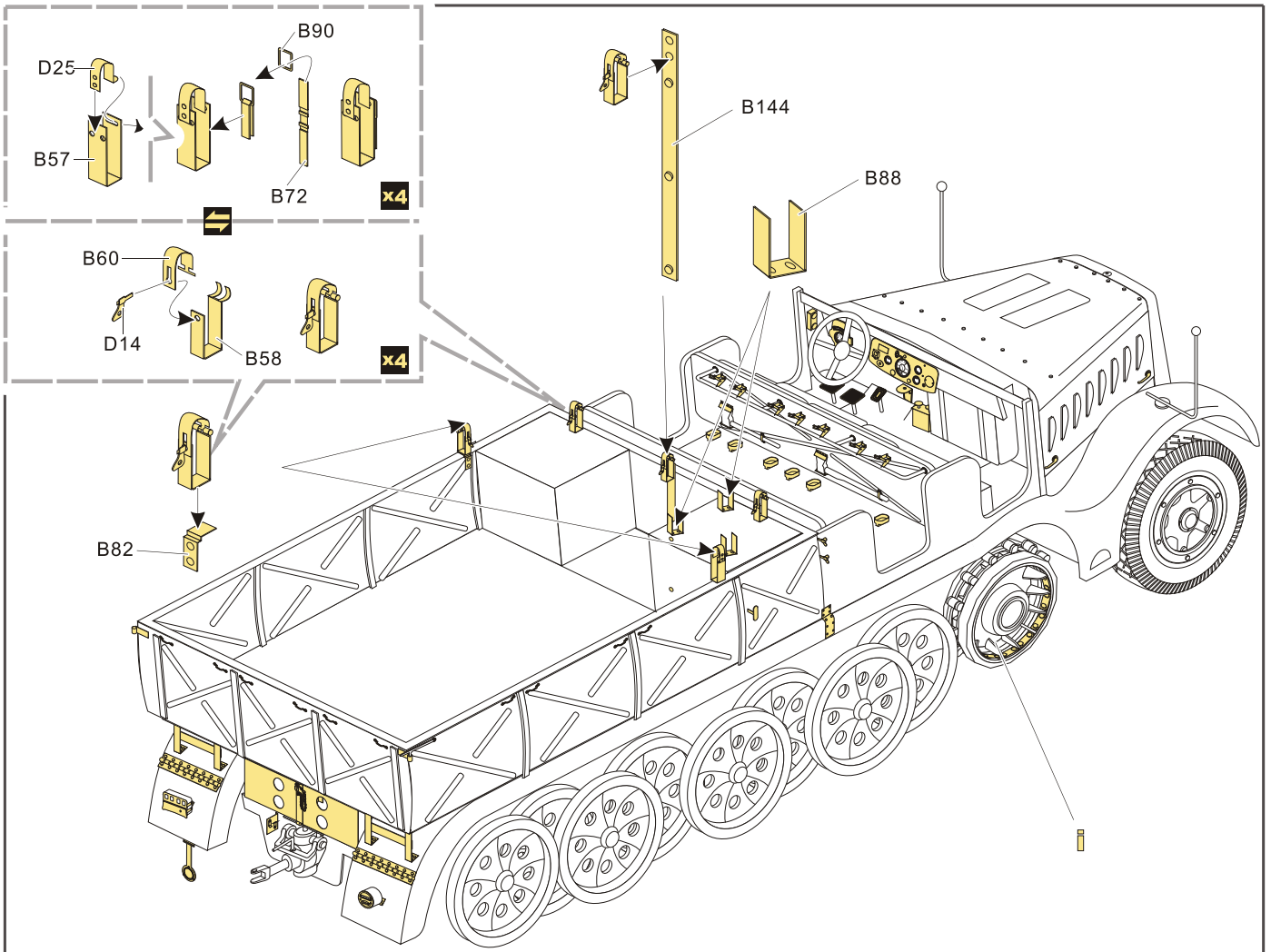
1/35 MILITARY MINIATURE VEHICLE UPGRADE SERIES PE35498



1/35 MILITARY MINIATURE VEHICLE UPGRADE SERIES PE35498



1/35 MILITARY MINIATURE VEHICLE UPGRADE SERIES PE35498



1/35 MILITARY MINIATURE VEHICLE UPGRADE SERIES PE35498

